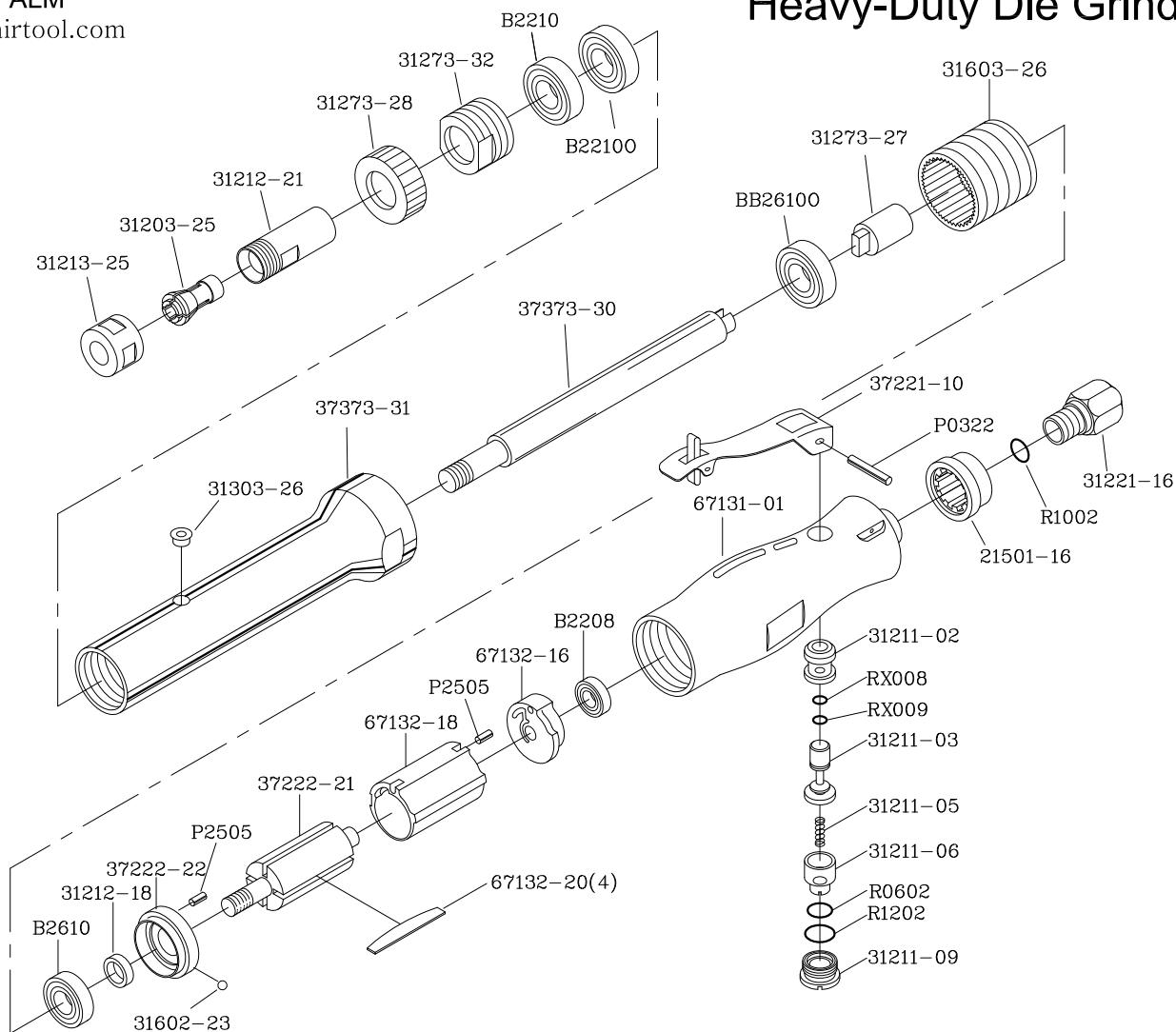


MPT-38370 1/4"(11" Extended Shaft) Heavy-Duty Die Grinder



DESCRIPTION	INDEX	DESCRIPTION	INDEX
MOTOR HOUSING	67131-01	ROTOR BLADE (4)	67132-20
VALVE BUSHING	31211-02	FRONT END PLATE	37222-22
O RING	RX008	LOCATING BALL	31602-23
O RING	RX009	ROTOR COLLAR	31212-18
VALVE STEM	31211-03	BEARING	B2610
SPRING	31211-05	LOCK NUT	31603-26
AIR REGULATOR	31211-06	COUPLING NUT	31273-27
O RING	R0602	BEARING	BB26100
O RING	R1202	11" SPINDLE	37373-30
PLUG SCREW	31211-09	11" SPINDLE HOUSING	37373-31
THROTTLE VAVLE	37221-10	OIL BALL	31303-26
DOWEL PIN	P0322	BEARING	B22100
EXHAUST SLEEVE	21501-16	BEARING	B2210
O RING	R1002	HOUSING NUT	31273-32
INLET BUSHING	31221-16	HOUSING CAP	31273-28
BEARING	B2208	SPINDLE	31212-21
REAR END PLATE	67132-16	COLLET	31203-25
DOWEL PIN (2)	P2505	COLLET NUT	31213-25
CYLINDER	67132-18	19mm SPANNER WRENCH	WO019
ROTOR	37222-21	14mm SPANNER WRENCH	WO014