

CATALOGUE

Porta
by ASEIN 

2026



INDEX

KEYLESS DRILL CHUCKS

INDUSTRIAL LINE	4
INDUSTRIAL - PK LINE	5
PRECISION INDUSTRIAL LINE	5
HIGH PRECISION INDUSTRIAL LINE	6

REVERSING KEYLESS CHUCKS

TAURUS LINE	7
TAURUS PROFESSIONAL LINE	8
TAURUS SUPER LINE	9
TAURUS ULTIMATE LINE	11
INDUSTRIAL LINE	12

KEY OPERATED DRILL CHUCK

INDUSTRIAL LINE	13
STANDARD LINE	14
PRECISION LINE	15
PERCUSSION LINE	15
KEYS	15

MACHINE TOOLS ACCESSORIES

EXTRACTOR FOR ACCESSORY SPINDLES	16
RINVIO	17
RIGHT ANGLE DRILL ATTACHMENT	19
360° RIGHT ANGLE DRILL ATTACHMENT	19
QUICK CHANGE SDS CONVERTER	20
RIVET CONVERTER	21
CHUCK EXTENDER	20
FLEXIBLE BIT HOLDER FOR SCREWDRIVER	21
QUICK CLAMPING NUT	21
CHUCK ADAPTORS	22
QUICK RELEASE 1/4" HEXAGON BIT HOLDERS	23

ARBORS

ARBORS.....24

SLEEVES

SLEEVES27

SOCKETS

SOCKETS.....28

LATHE CENTRES

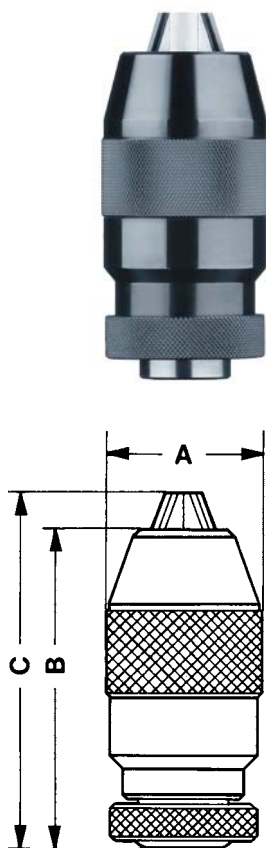
LATHE (DEAD) CENTRES PRECISION GROUND 30



VALIDUS KEYLESS CHUCKS

Self-tightening style for power tools, pedestal and bench drilling machines.
Rotary right hand rotation only.

INDUSTRIAL LINE

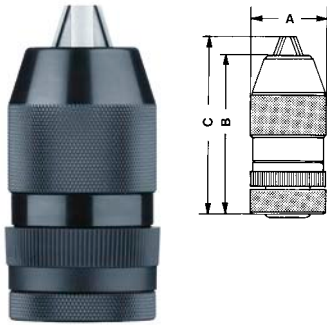


Reference	Drilling capacity mm	Mount	A mm	B mm	C mm	Packaging Style	Weight g
32B10	0-6	DIN B10	34,5	65	72	Individual box	365
32B12	0-6	DIN B12	34,5	65	72	Individual box	365
32J1	0-6	JACOBS 1	34,5	65	72	Individual box	365
32F38	0-6	Female thr. 3/8" x 24	34,5	65	72	Individual box	365
34B10	0-8	DIN B10	34,5	65	72	Individual box	365
34B12	0-8	DIN B12	34,5	65	72	Individual box	365
34J2	0-8	JACOBS 2	34,5	65	72	Individual box	365
34J1	0-8	JACOBS 1	34,5	65	72	Individual box	365
34F38	0-8	Female thr. 3/8" x 24	34,5	65	72	Individual box	365
34F12	0-8	Female thr. 1/2" x 20	34,5	65	72	Individual box	365
35B12	1-10	DIN B12	34,5	72	79	Individual box	365
35J2	1-10	JACOBS 2	34,5	72	79	Individual box	365
35F38	1-10	Female thr. 3/8" x 24	34,5	72	79	Individual box	365
35F38B	1-10	Female thr. 3/8" x 24	34,5	72	79	Blister	365
35F12	1-10	Female thr. 1/2" x 20	34,5	72	79	Individual box	365
36B16	0-10	DIN B16	44	83	93	Individual box	650
36J2	0-10	JACOBS 2	44	83	93	Individual box	650
36J33	0-10	JACOBS 33	44	83	93	Individual box	650
375B16	1.5-13	DIN B16	40,5	85	93	Individual box	540
375F38	1.5-13	Female thr. 3/8" x 24	40,5	85	93	Individual box	540
375F12	1.5-13	Female thr. 1/2" x 20	40,5	85	93	Individual box	540
375F12B	1.5-13	Female thr. 1/2" x 20	40,5	85	93	Blister	540
37B12	1-13	DIN B12	42,5	90	101	Individual box	660
37B16	1-13	DIN B16	42,5	90	101	Individual box	660
37J6	1-13	JACOBS 6	42,5	90	101	Individual box	660
37J2	1-13	JACOBS 2	42,5	90	101	Individual box	660
37J33	1-13	JACOBS 33	42,5	90	101	Individual box	660
37F38	1-13	Female thr. 3/8" x 24	42,5	90	101	Individual box	660
37F12	1-13	Female thr. 1/2" x 20	42,5	90	101	Individual box	660
38B16	0-13	DIN B16	51	92,5	104	Individual box	1010
38J6	0-13	JACOBS 6	51	92,5	104	Individual box	1010
40B16	3-16	DIN B16	50,5	98	110	Individual box	1060
40B18	3-16	DIN B18	50,5	98	110	Individual box	1060
40J6	3-16	JACOBS 6	50,5	98	110	Individual box	1060
40J3	3-16	JACOBS 3	50,5	98	110	Individual box	1060
40F12	3-16	Female thr. 1/2" x 20	50,5	98	110	Individual box	1060
40F58	3-16	Female thr. 5/8" x 16	50,5	98	110	Individual box	1060
50B22	5-20	B22	57	116	129	Individual box	1525
50J3	5-20	JACOBS 3	57	116	129	Individual box	1525

VALIDUS-PK KEYLESS CHUCKS

Self-tightening style with a locking action ring suitable for percussion power tools.
Rotary right hand rotation only.

INDUSTRIAL LINE - PK



Reference	Drilling capacity mm	Mount	A mm	B mm	C mm	Packaging Style	Weight g
37PKF38	1-13	Female thr. 3/8" x 24	43	86	100	Individual box	690
37PKF12	1-13	Female thr. 1/2" x 20	43	86	100	Individual box	680

HIGH PRECISION SELF-TIGHTENING KEYLESS CHUCK

WITH **TITANIUM** JAWS. MAXIMUM RUN-OUT 0.04MM.

Extremely accurate and precise chucks suitable for CNC machines and machine centres.

Supplied with spanner wrench to allow the application of supplementary gripping torque.

The high tech titanium increases the grip and wear resistance of the jaw.

HIGH PRECISION INDUSTRIAL LINE



Reference	Drilling capacity mm	Mount	A mm	B mm	C mm	Packaging Style	Weight g
S32B12	0-6	DIN B12	36	65	73	Individual box	380
S32J1	0-6	JACOBS 1	36	65	73	Individual box	380
S34B12	0-8	DIN B12	36	65	73	Individual box	380
S34J2	0-8	JACOBS 2	36	65	73	Individual box	380
S36B16	0-10	DIN B16	45	81	93	Individual box	740
S36J2	0-10	JACOBS 2	45	81	93	Individual box	740
S36J33	0-10	JACOBS 33	45	81	93	Individual box	740
S38B16	0-13	DIN B16	51,5	93	105	Individual box	1070
S38J33	0-13	JACOBS 33	51,5	93	105	Individual box	1070
S38J6	0-13	JACOBS 6	51,5	93	105	Individual box	1070
S40B16	3-16	DIN B16	57,5	96	110	Individual box	1420
S40B18	3-16	DIN B18	57,5	96	110	Individual box	1420
S40J6	3-16	JACOBS 6	57,5	96	110	Individual box	1420

HIGH PRECISION SELF-TIGHTENING KEYLESS CHUCK

WITH STANDARD JAWS. MAXIMUM RUN-OUT 0.04MM.

All components are heat treated and ground.

Extremely accurate and precise chucks suitable for CNC machines and machine centres.



Reference	Drilling capacity mm	Mount	A mm	B mm	C mm	Packaging Style	Weight g
PP06B10	0,3-6	DIN B10	33,4	62,4	68,7	Individual box	296
PP08B12	0,3-8	B12	37,6	68,4	71,2	Individual box	414
PP10B12	0,3-10	B12	42,8	80	91,5	Individual box	637
PP10B16	0,3-10	B16	42,8	80	91,5	Individual box	650
PP13J2	0,3-13	JT2	50,4	91,2	104	Individual box	1003
PP13J33	0,3-13	JT33	50,4	91,2	104	Individual box	1003
PP13B16	0,3-13	B16	50,4	91,2	104	Individual box	1003
PP16B16	3-16	B16	56,7	95,6	108,7	Individual box	1305
PP16B18	3-16	B18	56,7	103	106,2	Individual box	1319

HIGH PRECISION INDUSTRIAL LINE

HIGH PRECISION SELF-TIGHTENING KEYLESS CHUCK

WITH TITANIUM JAWS. MAXIMUM RUN-OUT 0.04MM.

Extremely accurate and precise chucks suitable for CNC machines and machine centres.

Supplied with spanner wrench to allow the application of supplementary gripping torque.

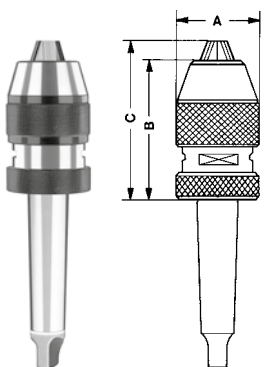
The high tech titanium increases the grip and wear resistance of the jaw.



Reference	Drilling capacity mm	Mount	A mm	B mm	C mm	Packaging Style	Weight g
PPT08B12	0.3-8	B12	37,6	68,4	71,2	Individual box	414
PPT08J1	0.3-8	JT1	37,6	68,4	71,2	Individual box	500
PPT08J2	0.3-8	JT2	37,6	68,4	71,2	Individual box	500
PPT10B12	0.3-10	B12	42,8	80	91,5	Individual box	637
PPT10B16	0-10	B16	42,8	80	91,5	Individual box	617
PPT10J2	0-10	JT2	42,8	80	91,5	Individual box	700
PPT13J33	0.3-13	JT33	50,4	91,2	104	Individual box	1003
PPT13J6	0.3-13	JT6	50,4	91,2	104	Individual box	994
PPT13B16	0.3-13	B16	50,4	91,2	104	Individual box	1003
PPT16J6	3-16	JT6	56,7	95,5	108,9	Individual box	1298
PPT16J3	3-16	JT3	56,7	101,6	104,3	Individual box	1292
PPT16J33	3-16	JT33	56,7	95,6	108,7	Individual box	1292
PPT16B16	3-16	B16	56,7	95,6	108,7	Individual box	1305
PPT16B18	3-16	B18	56,7	103	106,2	Individual box	1319

PORTA PRECISION GRADE KEYLESS CHUCKS

For CNC machine tools and machining centres with integral shank.



Reference	Drilling capacity mm	Mount	A mm	B mm	C mm	Packaging Style	Weight g
MT10MT2	0-10	Morse taper2	41	81	89	Individual box	990
MT13MT2	1-13	Morse taper2	50,5	88	99	Individual box	1200
MT13MT3	1-13	Morse taper3	50,5	88	99	Individual box	1360
MT13R8	1-13	R8 Bridgeport	50,5	88	99	Individual box	1435
MT16MT2	3-16	Morse taper2	56	95	108	Individual box	1580
MT16MT3	3-16	Morse taper3	56	95	108	Individual box	1690
MT16MT4	3-16	Morse taper4	56	95	108	Individual box	1980
MT16R8	3-16	R8 Bridgeport	56	95	108	Individual box	1650

KEYLESS MANDRINI

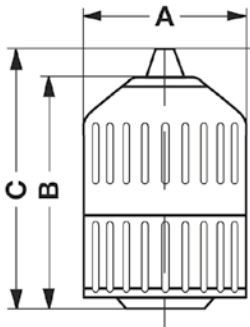
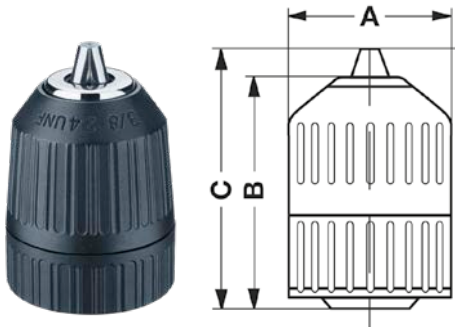
WITH Female Mount 3/8"x24 and 1/2"x20

The chucks are drilled internally to allow the passage of a left-hand locking screw (M5 left-hand and M6 left-hand respectively), which is necessary to prevent the chuck from unscrewing from the power tool in the event of reverse rotation. However, these chucks can also be locked onto the power tool without the need for a screw, using a TORX® type key.

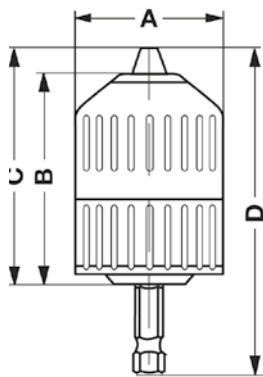
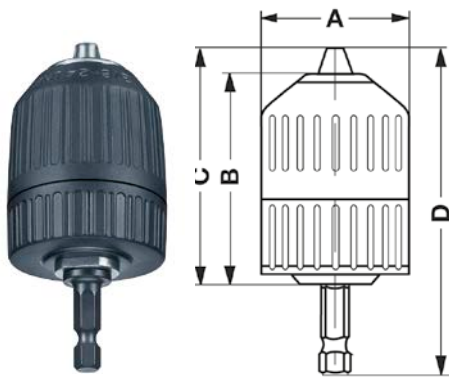
TAURUS LINE

TAURUS REGULAR

Hard nylon two piece sleeve, metal nose cap, suitable for machines in forward and reverse mode. Hand tightening style.



Reference	Drilling capacity mm	Mount	A mm	B mm	C mm	Max machine rating	Packaging Style	Weight g
LD10F12R	1.5-10	1/2" x 20	42,7	55	62	Suitable for machines in forward and reverse mode only	Individual box	182
LD10F12RB	1.5-10	1/2" x 20	42,7	55	62		Blister	182
LD10F38R	1.5-10	3/8" x 24	42,7	55	62		Individual box	182
LD10F38RB	1.5-10	3/8" x 24	42,7	55	62		Blister	182



SERIE PER AVVITATORI

with 1/4" male hexagonal mount to DIN 3126 - E 6.3.

Reference	Drilling capacity mm	A mm	B mm	C mm	D mm	Packaging Style	Weight g
LD10X1B	1.5-10	42,7	55	62	80	Individual box	200

DIY DESIGN KEYLESS CHUCK

HEX SHANK QUICK CHANGE

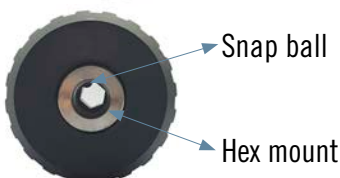
Application

- Recommended for Consumer Rotary Drills or Drill Drivers.
- Minimum standard 2.0" (50mm) hex bits are required to use Locking Hex feature.

Features and Benefits

- Locking Hex feature allows for rapid change of hex bits when doing drilling and driving operations without tightening the chuck.
- A snap ball in Hex Mount which provide max 9 lbf retention force.
- Chuck can still be used as normal with round shank bits.
- For larger diameter drill bits, where tightening the chuck would be recommended.
- Locking Hex feature would properly align jaws to hex flats on the drill shank.

TAURUS LINE



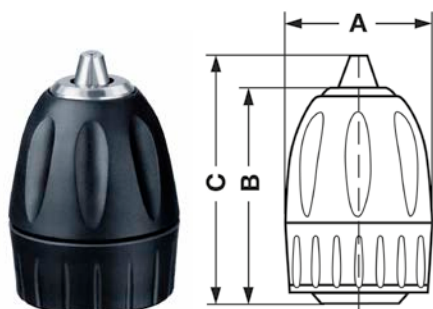
Reference	Drilling capacity mm	Mount	Screwdriver bit hole (mm)	Dimensions (mm)			Weight g
				Diameter	Length close	Length open	
LD13F12RHEX	1-13	1/2-20	H1/4" 6.35mm	42,6	55	70	238

TAURUS RANGE KEYLESS CHUCK

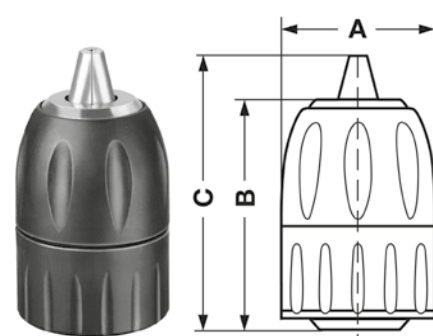
TAURUS PROFESSIONAL LINE

TAURUS PROFESSIONAL

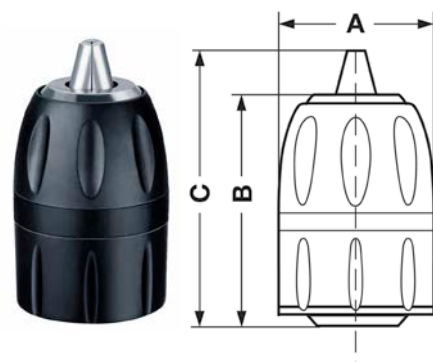
Hard nylon two piece sleeve, metal nose cap, suitable for machines in forward, reverse and percussion mode. Hand tightening style.



Reference	Drilling capacity mm	Mount	A mm	B mm	C mm	Max machine rating	Packaging Style	Weight g
LDP10F12R	1,5-10	1/2" x 20	42,7	55	63	450 W	Individual box	172
LDP10F12RB	1,5-10	1/2" x 20	42,7	55	63	450 W	Blister	172
LDP10F38R	1,5-10	3/8" x 24	42,7	55	63	450 W	Individual box	172
LDP10F38RB	1,5-10	3/8" x 24	42,7	55	63	450 W	Blister	172



Reference	Drilling capacity mm	Mount	A mm	B mm	C mm	Max machine rating	Packaging Style	Weight g
LDP13F12R	2-13	1/2" x 20	42,7	62	76	710 W	Individual box	290
LDP13F12RB	2-13	1/2" x 20	42,7	62	76	710 W	Blister	290
LDP13F38R	2-13	3/8" x 24	42,7	62	76	710 W	Individual box	290
LDP13F38RB	2-13	3/8" x 24	42,7	62	76	710 W	Blister	290
LDP13SDS	2-13	SDS	42,7	62	76	710 W	Individual box	330
LDP13SDSB	2-13	SDS	42,7	62	76	710 W	Blister	330

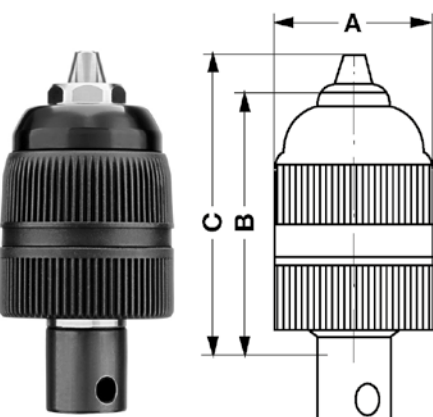


TAURUS PROFESSIONAL - SPINDLE LOCK SYSTEM

For machines with Spindle Lock system.

Hard nylon single sleeve suitable for forward, reverse and percussion mode.

Reference	Drilling capacity mm	Mount	A mm	B mm	C mm	Max machine rating	Packaging Style	Weight g
LDPS13F12R	2-13	1/2" x 20	42,7	62	73	710 W	Individual box	280
LDPS13F12RB	2-13	1/2" x 20	42,7	62	73	710 W	Blister	280



TAURUS PROFESSIONAL

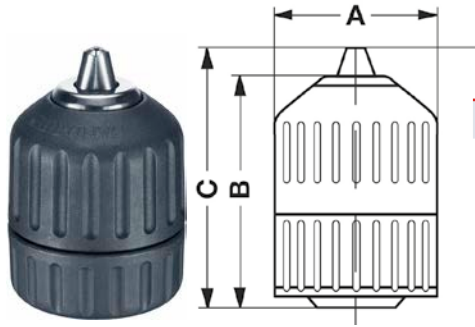
For impact drivers

Reference	Drilling capacity mm	Mount	A mm	B mm	C mm	Max machine rating	Packaging Style	Weight g
LDP10SQ38	1-10	3/8" Square socket	41	77	85	100 Nm	Individual box	232
LDP10SQ12	1-10	1/2" Square socket	41	80	88	100 Nm	Individual box	263

TAURUS SUPER CHUCKS

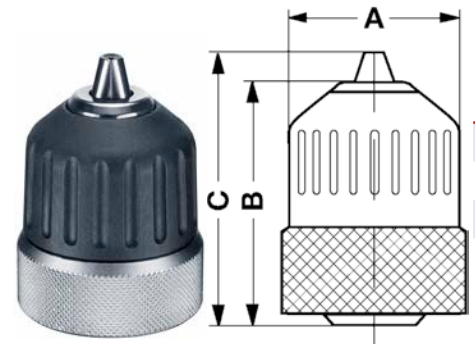
SUITABLE FOR FORWARD, REVERSE AND IMPACT MODE.
Standard jaws with serrated bite.

TAURUS SUPER LINE



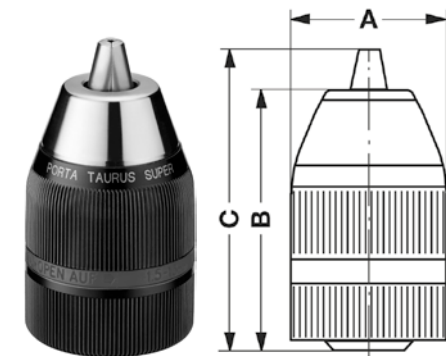
HARD NYLON TWO PIECE SLEEVE

Reference	Drilling capacity mm	Mount	A mm	B mm	C mm	Max machine rating	Packaging Style	Weight g
TSP10F12R	1,5-10	1/2" x 20	42,7	55	64	1100 W	Individual box	165
TSP10F38R	1,5-10	3/8" x 24	42,7	55	64	1100 W	Individual box	165



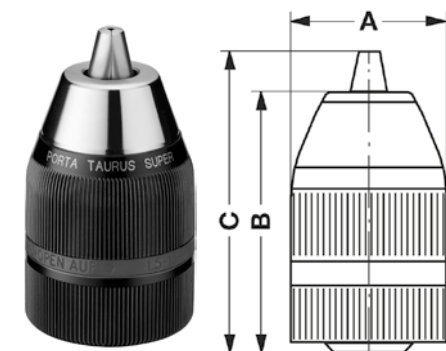
HARD NYLON FRONT SLEEVE AND REAR METAL SLEEVE

Reference	Drilling capacity mm	Mount	A mm	B mm	C mm	Max machine rating	Packaging Style	Weight g
TSMP10F12R	1,5-10	1/2" x 20	42,7	55	64	1100 W	Individual box	195
TSMP10F12RB	1,5-10	1/2" x 20	42,7	55	64	1100 W	Blister	195
TSMP10F38R	1,5-10	3/8" x 24	42,7	55	64	1100 W	Individual box	195
TSMP10F38RB	1,5-10	3/8" x 24	42,7	55	64	1100 W	Blister	195



HARD NYLON TWO PIECE SLEEVE

Reference	Drilling capacity mm	Mount	A mm	B mm	C mm	Max machine rating	Packaging Style	Weight g
TSP13F12R	1,5-13	1/2" x 20	42,7	64	75,3	1100 W	Individual box	260
TSP13F12RB	1,5-13	1/2" x 20	42,7	64	75,3	1100 W	Blister	260



FULL METAL TWO PIECE SLEEVE

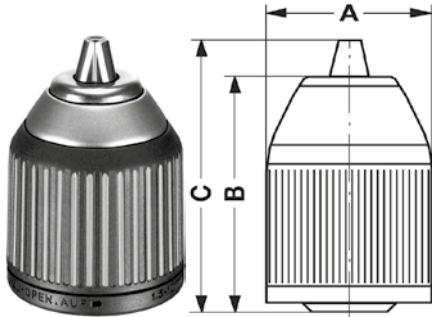
Reference	Drilling capacity mm	Mount	A mm	B mm	C mm	Max machine rating	Packaging Style	Weight g
TS13F12R	1,5-13	1/2" x 20	42,7	64	75,3	1100 W	Individual box	295
TS13F12RB	1,5-13	1/2" x 20	42,7	64	75,3	1100 W	Blister	295
TS13F38R	1,5-13	3/8" x 24	42,7	64	75,3	1100 W	Individual box	295
TS13F38RB	1,5-13	3/8" x 24	42,7	64	75,3	1100 W	Blister	295
TS13SDS	1,5-13	3/8" x 24	42,7	64	75,3	1100 W	Individual box	340
TS13SDSB	1,5-13	SDS	42,7	64	75,3	1100 W	Blister	340

TAURUS SUPER - SPINDLE LOCK SYSTEM

FOR MACHINES WITH SPINDLE LOCK SYSTEM, SUITABLE FOR FORWARD, REVERSE AND IMPACT MODE.

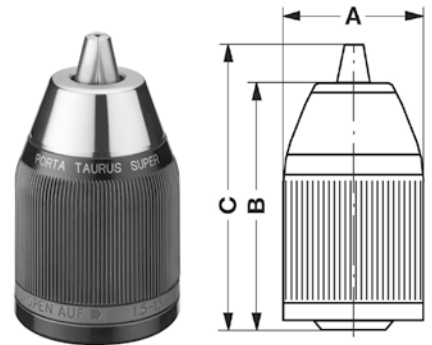
Standard jaws with serrated bite.

TAURUS SUPER LINE



HARD NYLON SINGLE SLEEVE

Reference	Drilling capacity mm	Mount	A mm	B mm	C mm	Max machine rating	Packaging Style	Weight g
TSSP10F12R	1,5-10	1/2" x 20	42,7	57,5	64	1100 W	Individual box	161
TSSP10F12RB	1,5-10	1/2" x 20	42,7	57,5	64	1100 W	Blister	161
TSSP10F38R	1,5-10	3/8" x 24	42,7	57,5	64	1100 W	Individual box	161
TSSP10F38RB	1,5-10	3/8" x 24	42,7	57,5	64	1100 W	Blister	161



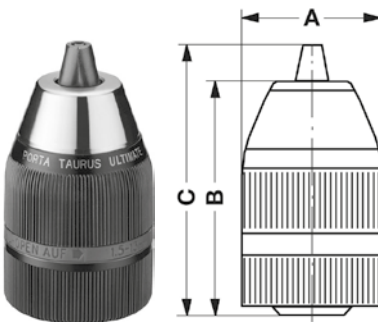
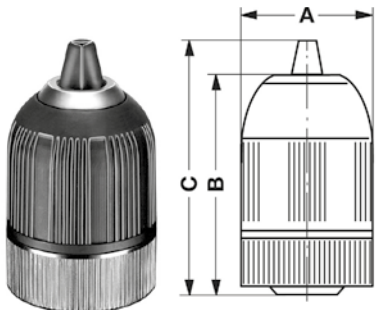
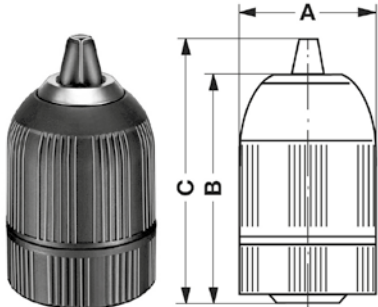
FULL METAL SINGLE SLEEVE

Reference	Drilling capacity mm	Mount	A mm	B mm	C mm	Max machine rating	Packaging Style	Weight g
TSS13F12R	1,5-13	1/2" x 20	42,9	53,5	69	1100 W	Individual box	295
TSS13F12RB	1,5-13	1/2" x 20	42,9	53,5	69	1100 W	Blister	295
TSS13F916R	1,5-13	9/16"x18	42,9	53,5	69	1100 W	Individual box	248
TSS13F916RB	1,5-13	9/16"x18	42,9	53,5	69	1100 W	Blister	248

TAURUS ULTIMATE CHUCKS

SUITABLE FOR FORWARD, REVERSE AND IMPACT MODE.
Carbide jaw bite to ensure better gripping.

TAURUS ULTIMATE LINE



HARD NYLON TWO PIECE SLEEVE

Reference	Drilling capacity mm	Mount	A mm	B mm	C mm	Max machine rating	Packaging Style	Weight g
TUP13F12R	1,5-13	1/2" x 20	42,7	63,5	75,3	1100 W	Individual box	248
TUP13F12RB	1,5-13	1/2" x 20	42,7	63,5	75,3	1100 W	Blister	248

HARD NYLON FRONT SLEEVE AND REAR METAL SLEEVE

Reference	Drilling capacity mm	Mount mandrino	A mm	B mm	C mm	Max machine rating	Packaging Style	Weight gr.
TUMP13F12R	1.5-13	1/2" x 20	42,7	63,5	75,3	1100 W	Individual box	282
TUMP13F12RB	1.5-13	1/2" x 20	42,7	63,5	75,3	1100 W	Blister	282

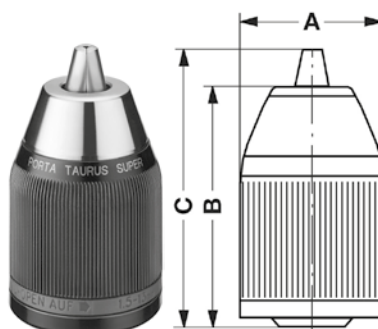
FULL METAL TWO PIECE SLEEVE

Reference	Drilling capacity mm	Mount mandrino	A mm	B mm	C mm	Max machine rating	Packaging Style	Weight gr.
TU13F12R	1.5-13	1/2" x 20	42,7	63,5	75,3	1100 W	Individual box	282
TU13F12RB	1.5-13	1/2" x 20	42,7	63,5	75,3	1100 W	Blister	282

ULTIMATE SPINDLE-LOCK CHUCKS

FOR MACHINES WITH SPINDLE LOCK SYSTEM, SUITABLE FOR FORWARD, REVERSE AND IMPACT MODE.
Carbide jaws.

TAURUS ULTIMATE LINE



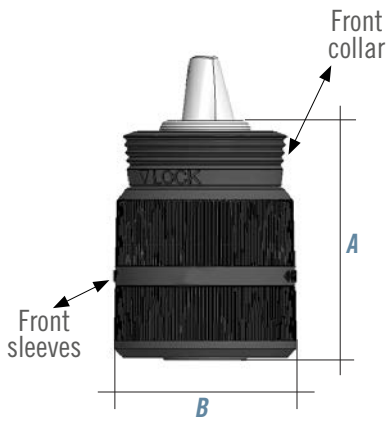
Reference	Drilling capacity mm	Mount mandrino	A mm	B mm	C mm	Max machine rating	Packaging Style	Weight gr.
TUS13F12R	1.5-13	1/2" x 20	42,7	64	75,3	1100 W	Individual box	295

IMPACT CHUCK

WITH LOCKING COLLAR FOR PERCUSSION DRILLS.

Carbide jaws. Only clockwise rotation - not reversible

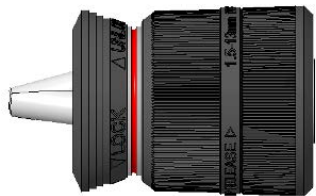
SERIE INDUSTRIALE



FEATURE

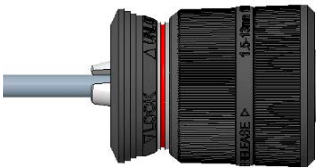
Drilling capacity mm	Material of sleeve	Jaws	A mm	B mm	Pull force of front collar	Weight g
1,6-13	Plastica	Carbide	56	42,7	20N+/-10N	260

HOW TO USE THE CHUCK



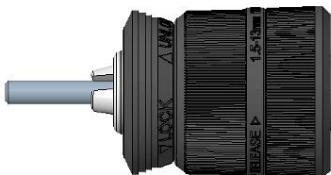
STEP 1:

Pull out the front collar by hand. A **red line will appear**.



STEP 2:

Like a traditional chuck, rotate front sleeve to open and close the chuck.



STEP 3:

After chuck is tightened on the bit, press the front collar by hand to lock the sleeve. **The red line disappears**.

AVAILABLE MODELS



Reference	Mount	Max torque	Application
TUPID13F12R	1/2 Female thr.	113N.m	Drill



Reference	Mount	Max torque	Application
TUPID13X1	1/4 hex	67N.m	Impact driver

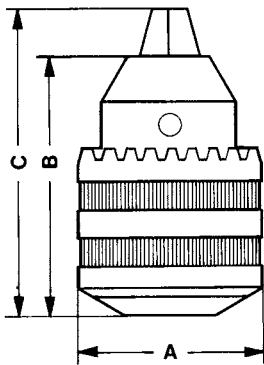


Reference	Mount	Max torque	Application
TUPID13SQ12	1/2 square	113N.m	Impact wrench

KEY OPERATED CHUCKS

MEDIUM DUTY FOR PROFESSIONAL USERS OF POWER TOOLS, BENCH DRILLING MACHINES, AND WOODWORKING MACHINERY. Heavy duty for production drilling machines and industrial power tools. Packed in individual cartons with key.

INDUSTRIAL LINE



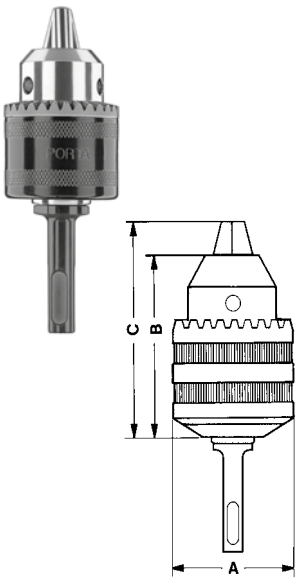
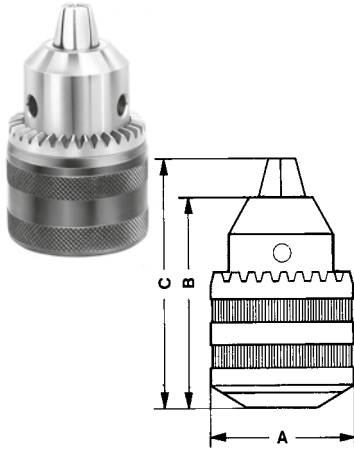
Reference	Drilling capacity mm	Mount	Through hole diameter mm	With key	A mm	B mm	C mm	Packaging Style	Weight g
A04J0	0.5-4	JACOBS 0	–	K0	22	29	35	Individual box	80
A06B10	0.3-6	DIN B10	–	KS1	32	40	50	Individual box	135
A06F38	0.5-6	3/8" x 24 fem. mount	–	KS1	32	40	50	Individual box	135
A06F38R	0.5-6	3/8" x 24 fem. mount	5,5	KS1	32	40	50	Individual box	135
A08B12	0.3-8	DIN B12	–	KS1	30	44	54	Individual box	140
A08J1	0.3-8	JACOBS 1	–	KS1	30	44	54	Individual box	140
A08F38	0.3-8	3/8" x 24 fem. mount	–	KS1	30	44	54	Individual box	140
A08F38R	0.3-8	3/8" x 24 fem. mount	5,5	KS1	30	44	54	Individual box	140
A10B12	0.5-10	DIN B12	–	KS2	36,5	51	60	Individual box	220
A10J2	0.5-10	JACOBS 2	–	KS2	36,5	51	60	Individual box	220
A10F38	0.5-10	3/8" x 24 fem. mount	–	KS2	36,5	51	60	Individual box	220
A10F38R	0.5-10	3/8" x 24 fem. mount	5,5	KS2	36,5	51	60	Individual box	220
A10F12	0.5-10	1/2" x 20 fem. mount	–	KS2	36,5	51	60	Individual box	220
A10F12R	0.5-10	1/2" x 20 fem. mount	6,5	KS2	36,5	51	60	Individual box	220
A13B12	1.5-13	DIN B12	–	KS2	42,5	59	73	Individual box	370
A13B16	1.5-13	DIN B16	–	KS2	42,5	59	73	Individual box	370
A13J6	1.5-13	JACOBS 6	–	KS2	42,5	59	73	Individual box	370
A13J33	1.5-13	JACOBS 33	–	KS2	42,5	59	73	Individual box	370
A13F38	1.5-13	3/8" x 24 fem. mount	–	KS2	42,5	59	73	Individual box	370
A13F38R	1.5-13	3/8" x 24 fem. mount	5,5	KS2	42,5	59	73	Individual box	370
A13F12	1.5-13	1/2" x 20 fem. mount	–	KS2	42,5	59	73	Individual box	370
A13F12R	1.5-13	1/2" x 20 fem. mount	6,5	KS2	42,5	59	73	Individual box	370
AP13B16	0.5-13	DIN B16	–	KS3	53	66	89	Individual box	615
AP13J6	0.5-13	JACOBS 6	–	KS3	53	66	89	Individual box	615
AP13J2	0.5-13	JACOBS 2	–	KS3	51	72	92	Individual box	635
AP13J33	0.5-13	JACOBS 33	–	KS3	53	66	89	Individual box	615
AP13F58	0.5-13	5/8" x 16 fem. mount	–	KS3	53	66	89	Individual box	635
AP16B16	2.5-16	DIN B16	–	KS3	54	67	86	Individual box	627
AP16B18	2.5-16	DIN B18	–	KS3	54	67	86	Individual box	627
AP16J6	2.5-16	JACOBS 6	–	KS3	54	67	86	Individual box	627
AP16J33	2.5-16	JACOBS 33	–	KS3	54	67	86	Individual box	627
AP16F12	2.5-16	1/2" x 20 fem. mount	–	KS3	54	67	86	Individual box	627
AP16F12R	2.5-16	1/2" x 20 fem. mount	6.5	KS3	54	67	86	Individual box	627
AP16F58	2.5-16	5/8" x 16 fem. mount	–	KS3	54	67	86	Individual box	627
AP16F58R	2.5-16	5/8" x 16 fem. mount	6.5	KS3	54	67	86	Individual box	627
APP16B18	0.5-16	DIN B18	–	KS3	57	79	102	Individual box	880
APP16J6	0.5-16	JACOBS 6	–	KS3	57	79	102	Individual box	880
APP16J3	0.5-16	JACOBS 3	–	KS3	57	79	102	Individual box	880
AP20B22	5-20	DIN B22	–	KS4	64	92	116	Individual box	1095
AP20J3	5-20	JACOBS 3	–	KS4	64	92	116	Individual box	1095
*AP20F34	5-20	3/4" x 16 fem. mount	–	KS3	62	80	99	Individual box	913
AP26B24	5-26	DIN B24	–	KS4	75	144	139	Individual box	2095
AP26J4	5-26	JACOBS 4	–	KS4	75	144	139	Individual box	2095

* Clearance sale

STANDARD DUTY KEY OPERATED CHUCKS

Model numbers ending in letter R indicate chuck supplied with through hole to accommodate a left hand locking screw for reversing tools.

STANDARD LINE

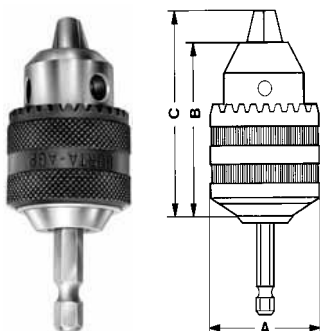


Reference	Drilling capacity mm	Mount	Through hole diameter mm	With key	A mm	B mm	C mm	Packaging Style	Weight g
AH06F38R	0-6	Female thr. 3/8" x 24	5,5	KH810	30	40	50,5	Individual box	112
AH06F38RB	0-6	Female thr. 3/8" x 24	5,5	KH810	30	40	50,5	Blister card	112
AH10B12	1,5-10	DIN B12	–	KH810	33	49	60	Individual box	160
AH10M38	1,5-10	Male thr. 3/8" x 24	–	KH810	33	49	60	Individual box	180
AH10M38B	1,5-10	Male thr. 3/8" x 24	–	KH810	33	49	60	Blister card	180
AH10F38	1,5-10	Female thr. 3/8" x 24	–	KH810	33	49	60	Individual box	165
AH10F38R	1,5-10	Female thr. 3/8" x 24	5,5	KH810	33	49	60	Individual box	165
AH10F12	1,5-10	Female thr. 1/2" x 20	–	KH810	33	49	60	Individual box	160
AH10F12R	1,5-10	Female thr. 1/2" x 20	6,5	KH810	33	49	60	Individual box	160
AH10F12B	1,5-10	Female thr. 1/2" x 20	–	KH810	33	49	60	Blister card	160
AH13B12	1,5-13	DIN B12	–	KS2	42,5	59	74	Individual box	280
AH13B16	1,5-13	DIN B16	–	KS2	42,5	59	74	Individual box	280
AH13M38	1,5-13	Male thr. 3/8" x 24	–	KS2	42,5	59	74	Individual box	295
AH13M38B	1,5-13	Male thr. 3/8" x 24	–	KS2	42,5	59	74	Blister card	295
AH13F38	1,5-13	Female thr. 3/8" x 24	–	KS2	42,5	59	74	Individual box	285
AH13F38R	1,5-13	Female thr. 3/8" x 24	5,5	KS2	42,5	59	74	Individual box	285
AH13F38B	1,5-13	Female thr. 3/8" x 24	–	KS2	42,5	59	74	Blister card	285
AH13F38RB	1,5-13	Female thr. 3/8" x 24	5,5	KS2	42,5	59	74	Blister card	280
AH13F12	1,5-13	Female thr. 1/2" x 20	–	KS2	42,5	59	74	Individual box	280
AH13F12R	1,5-13	Female thr. 1/2" x 20	6,5	KS2	42,5	59	74	Individual box	280
AH13F12B	1,5-13	Female thr. 1/2" x 20	–	KS2	42,5	59	74	Blister card	280
AH13F12RB	1,5-13	Female thr. 1/2" x 20	6,5	KS2	42,5	59	74	Blister card	280
AH13SDS	1,5-13	SDS	6,5	KS2	42,5	59	74	Individual box	330
AH13SDSB	1,5-13	SDS	6,5	KS2	42,5	59	74	Blister card	330
AH16F12R	3-16	Female thr. 1/2" x 20	–	KS3	49,4	69	87,5	Individual box	604

KEY OPERATED CHUCKS FOR SCREWDRIVERS

WITH 1/4" HEXAGONAL MALE MOUNT TO DIN 3126 - E 6.3

STANDARD LINE



Reference	Drilling capacity mm	With key	A mm	B mm	C mm	Packaging Style	Weight g
AH06X1	0-6	KH810	30	40	50,5	Individual box	126
AH06X1B	0-6	KH810	30	40	50,5	Blister card	126
AH10X1	1,5-10	KH810	33	49	60	Individual box	180
AH10X1B	1,5-10	KH810	33	49	60	Blister card	180

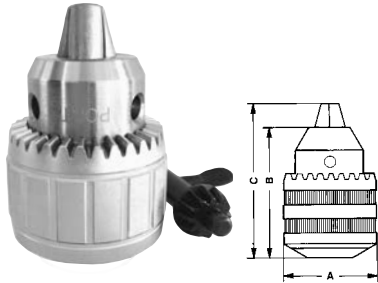
If a product or reference is not listed, please send a request to export@asein.com

BALL BEARING DRILL CHUCK WITH KEY

For production drilling equipment.

Drill chuck with key for industrial applications that require the toughest machining conditions.

- Equipped with ball bearings to reduce frictions in the tightening mechanism and provide a better grip on the drill shaft.
- All the pieces are hardened and ground.
- Range up to 20 mm capacity.



Reference	Jacobs equivalent	Drilling capacity mm	Mount	With key	A mm	B mm	C mm	Packaging Style	Weight g
APBB10J2	11N	1-10	JT2	KS8	43	56	72	Individual box	215
APBB13J3	14N	1-13	JT3	KS3	53	73	96	Individual box	615
APBB16J3	16N	3-16	JT3	KS3	53	74	97	Individual box	645
APBB20J4	18N	5-20	JT4	KS4	64	96	121	Individual box	1095

PRECISION LINE

Hammer key type drill chucks

WITH SDS ADAPTOR.

Application: for hammer drilling in concrete, stone, etc.

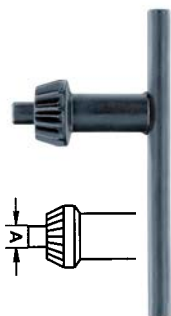
Technical feature: clockwise and counterclockwise rotation; chuck end play for transmitting the entire impact onto the drill; SDS adaptor; reliable axial locking structure; rubber cap for dust protection; suitable for up to 1050 Watt impact drill or up to 750 Watt hammer drill.



Reference	Drilling capacity mm	Mount	Diameter max mm	Length mm	With key	Weight g
A13PKSDS	15-13	SDS	42,9	81,5	KS2PK with long welded handle	420

HAMMER LINE

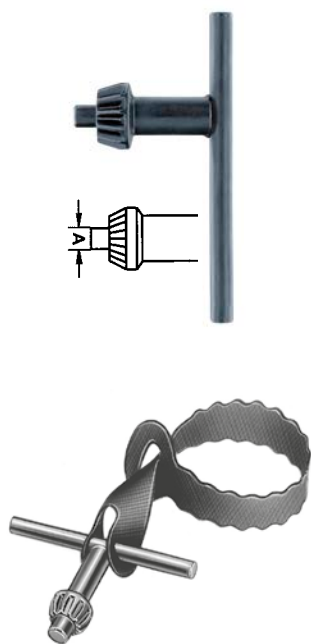
CHUCK KEYS



Reference	Key model	Norma	A mm	No. denti	Per mandrino tipo	Packaging Style	Weight g
KS1	KS1	DIN S1	4	10	A06-A08	Bulk	10
KS1B	KS1	DIN S1	4	10	A06-A08	Bliester	10
KS2	KS2	DIN S2	6	12	A10-A13-AH16-AH13	Bulk	40
KS2B	KS2	DIN S2	6	12	A10-A13-AH16-AH13	Bliester	40
KS2P50	KS2	DIN S2	6	12	A10-A13-AH16-AH13	50 pcs. box	40
KS2PK	KS2PK	DIN S2	6	12	-	Bulk	59
KS3	KS3	DIN S3	8	12	AP13-AP16 APP16	Bulk	80
KS3B	KS3	DIN S3	8	12	AP13-AP16 APP16	Bliester	80
KS3P25	KS3	DIN S3	8	12	AP13-AP16 APP16	25 pcs. box	80
KH810	KH810	DIN S14 - JACOBS KG	6	11	AH10	Bulk	20
KH810B	KH810	DIN S14 - JACOBS KG	6	11	AH10	Bliester	20
KH810P50	KH810	DIN S14 - JACOBS KG	6	11	AH10	50 pcs. box	20
K20	K20	DIN S13 - JACOBS K4	9,5	12	-	Bulk	120

KEYS

CHUCK KEYS



Reference	Key model	Norma	A mm	No. denti	Per mandrino tipo	Packaging Style	Weight g	
KS8	KS8	DIN S8 - JACOBS K30S	6	10	Black & Decker 13mm	Bulk	40	
KS8B	KS8	DIN S8 - JACOBS K30S	6	10	Black & Decker 13mm	Blister	40	
K1	K1	DIN S7 - JACOBS K1	4	11	—	Bulk	10	
K2	K2	JACOBS K2	6,3	11	—	Bulk	40	
K32	K32	DIN S9 - JACOBS K32	6,3	10	—	Bulk	60	
K32B	K32	DIN S9 - JACOBS K32	6,3	10	—	Blister	60	
KS10	KS10	DIN S10 - JACOBS K3	8	11	—	Bulk	70	
KS4	KS4	DIN S4	9	14	AP20-AP26	Bulk	150	
K0	K0	JACOBS K0	3	11	A04	Bulk	20	
KJ6	KJ6	CK-3	4	12	Makita 6 mm	Bulk	36	
KJ10	KJ10	CK-4	5,5	12	Makita 10 mm	Bulk	53	
KJ13	KJ13	CK-5	6,5	12	Makita 13 mm	Bulk	61	
KL0		Rubber strap to attach key on power tool cable					Bulk	—

KEYS

MORSE TAPER EJECTING DRIFTS

According to DIN 317, hardened and black oxide special steel.



SEMI-AUTOMATIC EXTRACTORS

For tools with Morse taper DIN 228.



EXTRACTOR FOR ACCESSORY SPINDLES



Reference	Morse taper	Length mm	Packaging Style	Weight g
DR0	0	90	Bulk	14
DR12	1-2	140	Bulk	70
DR23	2-3	148	Bulk	80
DR3	3-4	190	Bulk	150
DR4	4-5	225	Bulk	310
DR56	5-6	265	Bulk	650

Reference	Morse taper	Length mm	Packaging Style	Weight g
DRA123	1-2-3	322	Bulk	320
DRA456	4-5-6	348	Bulk	580

Reference	Suitable for taper	Dimensions (mm) Length	Thickness	Weight g
DRCH	B16/J2/J33 on one side B18/J6 on the other side	210	12	567

ACCESSORIES

RIGHT ANGLE DRILL ATTACHMENT

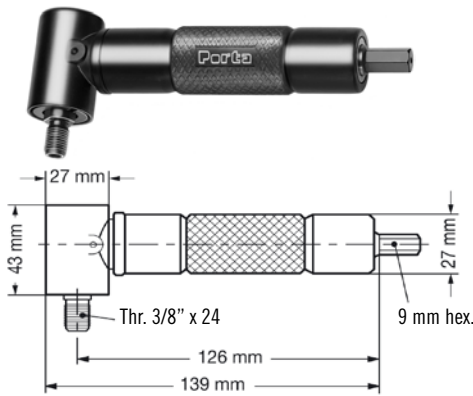
The Right Angle Drill Attachment enables drilling of holes where no other conventional drill will fit.

Fits to any drill with 10 mm or larger capacity chuck.

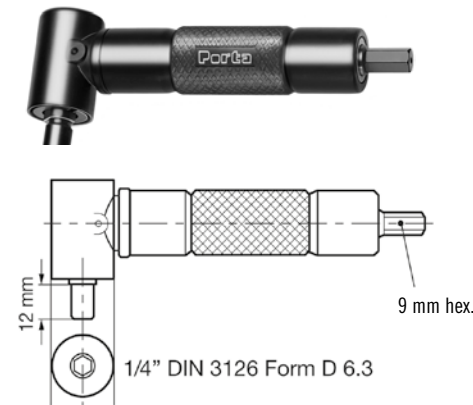
The Right Angle Drill Attachment is equipped with a 3/8" x 24 threaded mount and can be supplied:

- Without chuck code RADA
- With key type chuck code RADACK
- With keyless chuck code RADACL
- Double heat treated helical gear.
- Aluminum alloy metal housing industrial quality guaranteed.
- Gear ratio 1:1,3
- Max drilling capacity: 10 mm in steel, 16 mm in wood.
- Maximum speed: 2.100 rpm. - Max torque: 29,4 Nm.

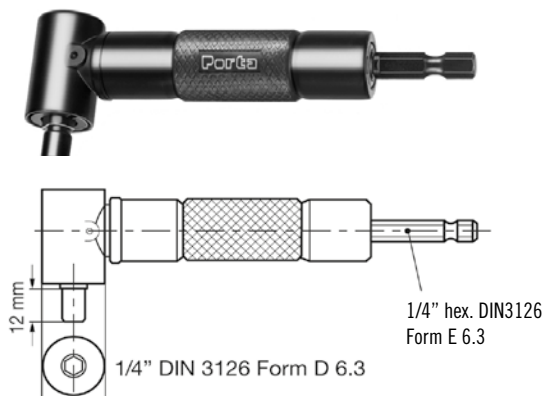
ACCESSORIES



Reference	Packaging Style	Weight g
RADA	Individual box	310



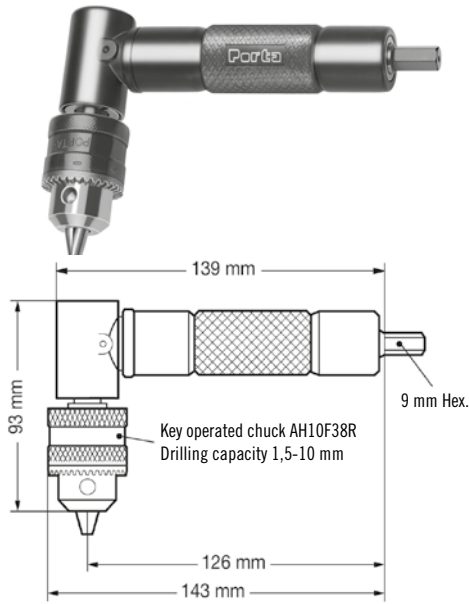
Reference	Packaging Style	Weight g
RADAX	Individual box	315



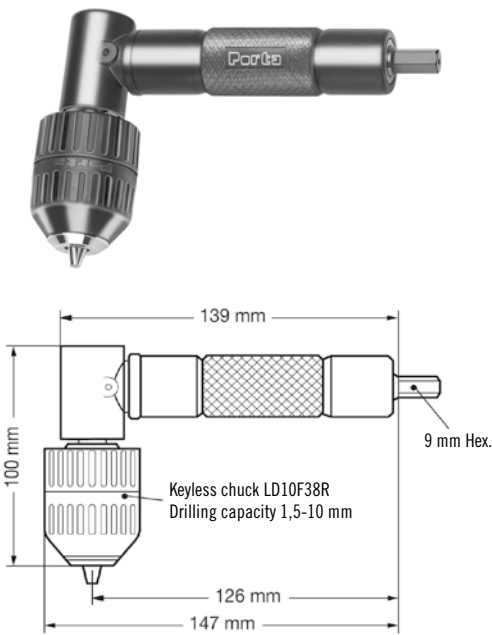
Reference	Packaging Style	Weight g
RADAV	Individual box	315

RIGHT ANGLE DRILL ATTACHMENT - cont.

ACCESSORIES



Reference	Packaging Style	Weight g
RADACK	Individual box	455



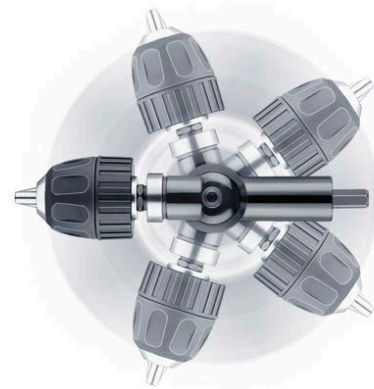
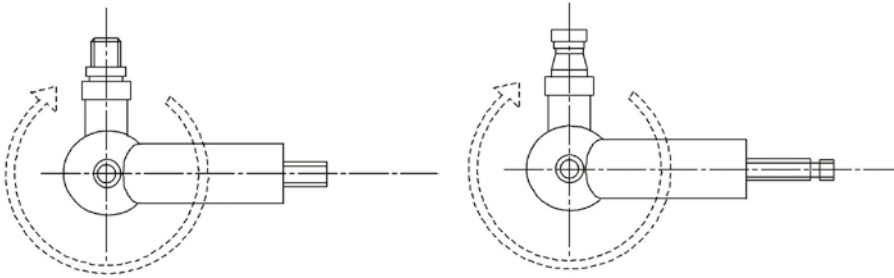
Reference	Packaging Style	Weight g
RADACL	Individual box	490

360° RIGHT ANGLE DRILL ATTACHMENT

This right angle drill attachment with a 360° full rotation enables drilling of holes and screwdriving where no other conventional drill will fit. It can be fitted on all standard power tools and screw drivers.

A T Key wrench available in the package can lock the tool at the desired angle.

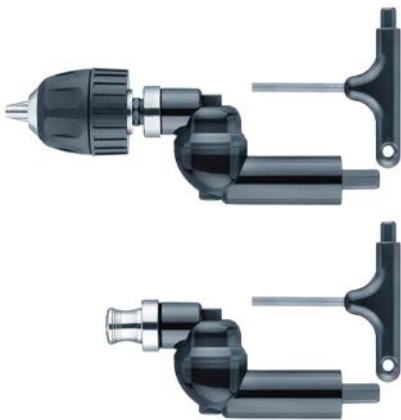
ACCESSORIES



ON DRILLING POWER TOOLS

Connection to the drill chuck via a 9 mm hexagon

- Max speed: 3500 rpm.
- Max torque: 35 Nm



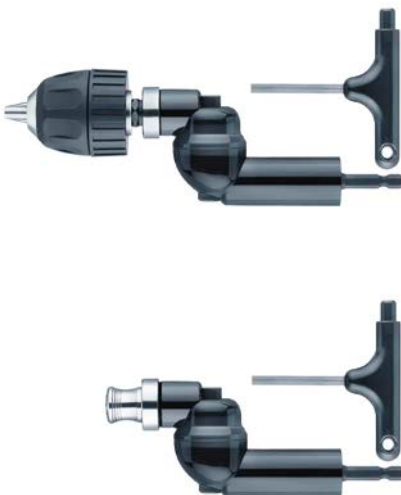
Reference	Supplied with	Capacità mm	Packaging Style	Weight g
RADA360CL	Keyless chuck LD10F38R	1,5-10	Individual box	465

Reference	Supplied with	Packaging Style	Weight g
RADAQ360	Quick charge chuck for bit	Individual box	301

ON SCREWDRIVERS

Connection to the electric tool via 1/4" hexagon DIN 3126 Form D6.3

- Max speed: 3500 rpm.
- Max torque: 35 Nm



Reference	Supplied with	Capacità mm	Packaging Style	Weight g
RADAV360CL	Keyless chuck LD10F38R	1,5-10	Individual box	465

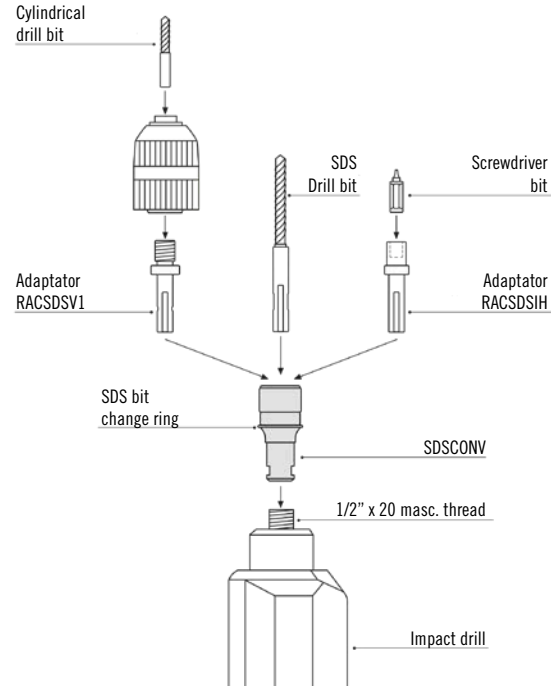
Reference	Supplied with	Packaging Style	Weight g
RADAQV360	Quick charge chuck for bit	Individual box	301

QUICK CHANGE SDS CONVERTER

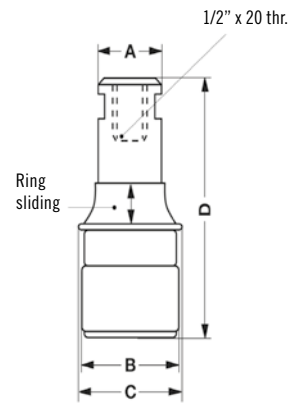
FOR REGULAR PERCUSSION POWER TOOLS.

This adapter, mounted on an electric or pneumatic tool with a 1/2" square drive allows use of SDS drill bits. Furthermore, by using the special adapter RACSDSIH, designed for the insertion of an insert, the drill can be transformed into a screwdriver. The replacement of the SDS drill bit is easily done by means of a spring-loaded ring sliding on the spindle axis. In fact, gripping the ring, the weight of the drill itself opens the locking device. All the individual components of the chuck are made of treated steel.

ACCESSORIES



Reference	Mount sul Drill	A mm	B mm	C mm	D mm	Packaging Style	Weight g
SDSCONV	1/2" x 20	22	28	30	58	Individual box	160



CHUCK EXTENDER FOR PORTABLE DRILL

NEW SERIES WITH DIE-CAST ALUMINUM BODY

The use of portable drills is often limited by their own body. This 300mm extension allows access to places where it is practically impossible with a portable drill.

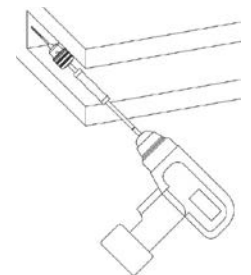
The extension is equipped with an aluminum handle sliding on ball bearings to provide stability and direction to the drilling action.

The extension with a 9mm hexagonal shank for mounting on the drill can be equipped with:

Model PMK - key chuck Female thread 3/8"-24UNF, capacity 1.5-10 mm, standard key DIN S14, AH10F38R Porta's series.

Model PML - keyless chuck Female thread 3/8"-24UNF, capacity 1.5-10 mm, LD10F38R Porta's series.

ACCESSORIES



Reference	Mount	Drilling capacity mm	With key	Porta chuck	Packaging Style	Weight g
PMK	3/8"-24UNF	1,5-10	DIN S14	AH10F38R	Plastic bag	400
PML	3/8"-24UNF	1,5-10	-	LD10F38R	Plastic bag	390

RIVET CONVERTER

NEW SERIE: CAST ALUMINIUM BODY

Simply convert the standard cordless, electric, pneumatic, drill/drive into a blind rivet gun.

Accept 3/8" and 1/2" (10/13mm) drill chuck or 1/4" (6.35mm) hex recess.

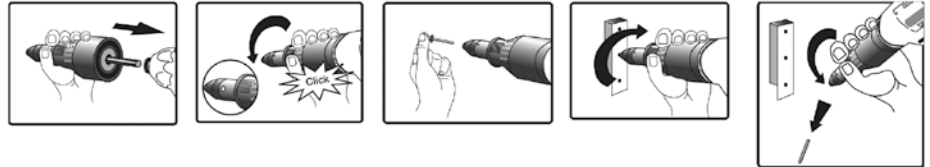
Compatible with 12V, 14.4V and 18V cordless drill/drive and any reversible corded drill I drive.

Pull: Aluminium rivets: 2.4-4.8mm / Stainless steel rivets: 2.4-4.0mm

Comes complete 2.4-3.2-4.0-4.8mm (3/32"-1/8"-5/32"-3/16") 4 nosepieces.

Max rpm: 1000 rpm.

The shank of rivet is expelled when the drill is operated in the "reverse" mode. If used with a combination impact drill, ensure that it is set to drilling mode.



ACCESSORIES

Reference	Mount	Drilling capacity mm	Steel rivets size mm	Max speed RPM	Packaging Style	Weight g
RIVCONV	1/4" DIN 3126 FORM E 6,3	da 2,4 a 4,8	da 2,4 a 4,0	1000 rpm	Individual box	280



DETAILS

- Hexagon shank .” Din 3126 Form E 6.3
- Housing: die cast aluminium
- Nose piece: mm 2.4 – 3.2 – 4.0 – 4.8
- Sight window: Blind rivet loading
- Wrench with interchangeable noses

FLEXIBLE BIT HOLDER FOR SCREWDRIVER

With 1/4" hexagon Din 3126 E 6,3 driver for screwdrivers on one side and a quick change 1/4" hexagon bit holder on the other side.



ACCESSORIES

Reference	Length mm	Max speed RMP	Max torque kgf/cm	Packaging Style	Weight g
RACFLEX2	200	3000	165	Individual box	200
RACFLEX3	300	3000	135	Individual box	300
RACFLEX4	400	3000	135	Individual box	400

QUICK CLAMPING NUT

TECHNICAL FEATURE: Suitable for grinding/cutting discs from 100 mm up to 230 mm and angle grinder power below 2400 W.

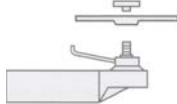
Easy tightening and release. Available mount size: M14.

HOW TO INSTALL IT: Place grinding/cutting wheel on spindle, making sure wheel is centered on flange.

Place the Quick Clamping Nut onto spindle, rotate clockwise and lock (2-4 Nm).

HOW TO REMOVE IT: Grip the outer ring of the Quick Clamping Nut by hand and release it counterclockwise from the grinder spindle (2-4 Nm).

ACCESSORIES



Reference	∅ mm	Thickness mm	Female thr.	Packaging Style	Weight g
QCNM14	46,5	13,4	M14	Individual box	110

CHUCK ADAPTORS

ACCESSORIES



Reference	Style	Description	Packaging Style	Weight g
RACSDSV1	BOSCH SDS+	To convert SDS and other direct drive systems to accept 1/2" x 20 female chuck for rotary only work. Supplied complete with M6 left hand threaded retaining screw	Individual box	55
RACSDSV1B	BOSCH SDS+	To convert SDS and other direct drive systems to accept 1/2" x 20 female chuck for rotary only work. Supplied complete with M6 left hand threaded retaining screw	Blister	55
RACSDSIH magnetico	BOSCH SDS+	To convert SDS system to accept tools with 1/4" hexagon shanks for rotary rotation work	Bulk	50
RACSDSIHB magnetico	BOSCH SDS+	To convert SDS system to accept tools with 1/4" hexagon shanks for rotary rotation work	Blister	50



Reference	Description	Packaging Style	Weight g
RACX1	1/4" DIN 3126 Form E 6,3 hexagon shank with 3/8" x 24 threaded mount	Bulk	20



Reference	Description	Packaging Style	Weight g
VSR10D5	M5 left hand thread spare screw total length 18 mm for use with 10 mm 3/8" x 24 threaded keyed chucks	Bulk	6
VSR13D6	M6 left hand thread spare screw total length 27 mm for use with SDS adaptors and 13 mm 1/2" x 20 threaded keyed chucks	Bulk	6



Reference	Description	Packaging Style	Weight g
RAC3812M	To convert 1/2" x 20 female to 3/8" x 24 male	Individual box	26
RAC3812MB	To convert 1/2" x 20 female to 3/8" x 24 male	Blister	26
RAC3838M	To convert 3/8" x 24 female to 3/8" x 24 male	Individual box	19
RAC3838MB	To convert 3/8" x 24 female to 3/8" x 24 male	Blister	19



Reference	Description	Packaging Style	Weight g
RAC3812F	To convert 1/2" x 20 female to 3/8" x 24 female	Individual box	11
RAC3812FB	To convert 1/2" x 20 female to 3/8" x 24 female	Blister	11

CHUCK ADAPTORS - cont.

ACCESSORIES



Reference	Description
RACX1WBHB	1/4" wobble type adaptor <ul style="list-style-type: none"> • locked: straight position • unlocked: wobble position up to 25°



Reference	Description
RAC12SQ38B	Convert 1/2" x 20 thread to 3/8" square drive
RAC12SQ12B	Convert 1/2" x 20 thread to 6" square drive

QUICK RELEASE 1/4" HEXAGON BIT HOLDERS

ACCESSORIES



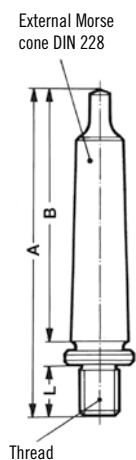
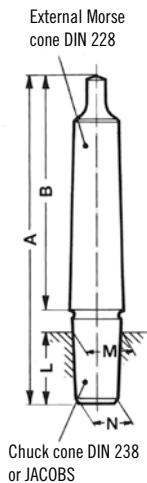
Reference	Description
RAC14HSQ38B	To be fitted on 3/8" square drive machine
RAC14HSQ12B	To be fitted on 1/2" square drive machine
RAC14HT12B	To be fitted on 1/2" x 20 threaded mount machine

MORSE TAPER ARBORS

With taper and threaded mounts, precision ground, hardened and tempered.

ARBORS

Reference	Morse taper DIN	Chuck	A mm	B mm	M mm	N mm	L mm	Packaging Style	Weight g
C1B10	1	DIN B10	83	65,5	10,094	9,4	14,5	Individual box	55
C1B12	1	DIN B12	89	65,5	12,065	11,1	18,5	Individual box	65
C1B16	1	DIN B16	99	65,5	15,733	14,5	24	Individual box	90
C1B18	1	DIN B18	99	65,5	17,78	16,2	32	Individual box	110
C1J1	1	JACOBS 1	86	65,5	9,754	8,468	16,67	Individual box	50
C1J2	1	JACOBS 2	92	65,5	14,2	12,39	22,23	Individual box	60
C1J3	1	JACOBS 3	102	65,5	20,6	18,95	30,96	Individual box	60
C1J6	1	JACOBS 6	96	65,5	17,17	15,85	25,4	Individual box	60
C1J33	1	JACOBS 33	96	65,5	15,85	14,24	25,4	Individual box	60
C1F38	1	Thr. 3/8" x 24	83	65,5	-	-	14,3	Individual box	60
C1F12	1	Thr. 1/2" x 20	85	65,5	-	-	14,3	Individual box	60
C2B10	2	DIN B10	105	80	10,094	9,4	14,5	Individual box	130
C2B12	2	DIN B12	106	80	12,065	11,1	18,5	Individual box	135
C2B16	2	DIN B16	112	80	15,733	14,5	24	Individual box	160
C2B18	2	DIN B18	119	80	17,78	16,2	32	Individual box	180
C2B22	2	DIN B22	130	80	21,793	19,8	40,5	Individual box	245
C2J1	2	JACOBS 1	101	80	9,754	8,468	16,67	Individual box	130
C2J2	2	JACOBS 2	107	80	14,2	12,39	22,23	Individual box	160
C2J3	2	JACOBS 3	117	80	20,6	18,95	30,96	Individual box	200
C2J4	2	JACOBS 4	129	80	28,55	26,346	42,07	Individual box	210
C2J6	2	JACOBS 6	111	80	17,17	15,85	25,4	Individual box	165
C2J33	2	JACOBS 33	112	80	15,85	14,24	25,4	Individual box	160
C2F38	2	Thr. 3/8" x 24	96	80	-	-	14,3	Individual box	160
C2F12	2	Thr. 1/2" x 20	104	80	-	-	14,3	Individual box	165
C2F58	2	Thr. 5/8" x 16	117	80	-	-	17,5	Individual box	180
C2F34	2	Thr. 3/4" x 16	107	80	-	-	17,5	Individual box	190
C3B12	3	DIN B12	125	99	12,065	11,1	18,5	Individual box	280
C3B16	3	DIN B16	134	99	15,733	14,5	24	Individual box	310
C3B18	3	DIN B18	140	99	17,78	16,2	32	Individual box	320
C3B22	3	DIN B22	147	99	21,793	19,8	40,5	Individual box	390
C3B24	3	DIN B24	157	99	23,825	21,3	50,5	Individual box	440
C3J1	3	JACOBS 1	125	99	9,754	8,468	16,67	Individual box	290
C3J2	3	JACOBS 2	126	99	14,2	12,39	22,23	Individual box	310
C3J3	3	JACOBS 3	136	99	20,6	18,95	30,96	Individual box	350
C3J6	3	JACOBS 6	130	99	17,17	15,85	25,4	Individual box	310
C3J33	3	JACOBS 33	130	99	15,85	14,24	25,4	Individual box	310
C3J4	3	JACOBS 4	147	99	28,55	26,346	42,07	Individual box	330
C3F38	3	Thr. 3/8" x 24	114	99	-	-	14,3	Individual box	310
C3F12	3	Thr. 1/2" x 20	122	99	-	-	14,3	Individual box	320
C3F58	3	Thr. 5/8" x 16	126	99	-	-	17,5	Individual box	340



MORSE TAPER ARBORS - cont

With taper and threaded mounts, precision ground, hardened and tempered.

ARBORS



Reference	Morse taper DIN	Chuck	A mm	B mm	M mm	N mm	L mm	Packaging Style	Weight g
C3F34	3	Thr. 3/4" x 16	126	99	—	—	17,5	Individual box	350
C4B16	4	DIN B16	156	124	15,733	14,5	24	Individual box	625
C4B18	4	DIN B18	164	124	17,78	16,2	32	Individual box	660
C4B22	4	DIN B22	176	124	21,793	19,8	40,5	Individual box	715
C4B24	4	DIN B24	186	124	23,825	21,3	50,5	Individual box	770
C4J2	4	JACOBS 2	153	124	14,2	12,39	22,23	Individual box	600
C4J3	4	JACOBS 3	162	124	20,6	18,95	30,96	Individual box	660
C4J4	4	JACOBS 4	173	124	28,55	26,346	42,07	Individual box	700
C4J5	4	JACOBS 5	179	124	35,89	33,422	47,625	Individual box	750
C4J6	4	JACOBS 6	156	124	17,17	15,85	25,4	Individual box	650
C4J33	4	JACOBS 33	156	124	15,85	14,24	25,4	Individual box	640
C5B16	5	DIN B16	198	156	15,733	14,5	24	Individual box	1600
C5B18	5	DIN B18	198	156	17,78	16,2	32	Individual box	1600
C5B22	5	DIN B22	207	156	21,793	19,8	40,5	Individual box	1650
C5B24	5	DIN B24	217	156	23,825	21,3	50,5	Individual box	1700
C5J3	5	JACOBS 3	198	156	20,6	18,95	30,96	Individual box	1600
C5J4	5	JACOBS 4	210	156	28,55	26,346	42,07	Individual box	1650
C5J5	5	JACOBS 5	216	156	35,89	33,422	47,625	Individual box	1700
C5J6	5	JACOBS 6	198	156	17,17	15,85	25,4	Individual box	1650

ISO TAPER ARBORS

Hardened and tempered according to DIN 2080.



Reference	Taper Iso	Chuck mount	Drawbolt thread	Packaging Style	Weight g
ISO30J6	30	JACOBS 6	M12	Individual box	425
ISO30B12	30	DIN B12	M12	Individual box	420
ISO30B16	30	DIN B16	M12	Individual box	425
ISO40J6	40	JACOBS 6	M16	Individual box	970
ISO40B12	40	DIN B12	M16	Individual box	965
ISO40B16	40	DIN B16	M16	Individual box	970
ISO40B18	40	DIN B18	M16	Individual box	970
ISO50J6	50	JACOBS 6	M24	Individual box	2560
ISO50B16	50	DIN B16	M24	Individual box	2560
ISO50B18	50	DIN B18	M24	Individual box	2560

PARALLEL ARBORS

With Jacobs taper mounts.

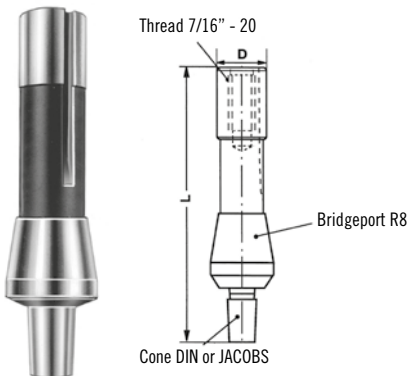
ARBORS



Reference	A	B mm	Jacobs taper mount	Packaging Style	Weight g
PA12J1	1/2"	64	1	Individual box	93
PA12J2	1/2"	64	2	Individual box	115
PA12J33	1/2"	64	33	Individual box	122
PA58J1	5/8"	64	1	Individual box	127
PA58J2	5/8"	64	2	Individual box	145
PA58J6	5/8"	64	6	Individual box	160
PA34J3	3/4"	72	3	Individual box	275
PA34J6	3/4"	72	6	Individual box	235
PA1J2	1"	74	2	Individual box	349
PA1J3	1"	74	3	Individual box	355
PA1J6	1"	74	6	Individual box	365
PA1J33	1"	74	33	Individual box	365

Bridgeport R8 taper adaptors

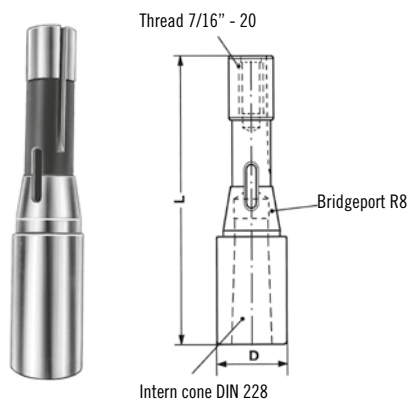
For chucks with DIN or Jacobs mount.



Reference	Taper	Mount	D mm	L mm	Drawbolt thread	Packaging Style	Weight g
CR8B16	Bridgeport R8	DIN B16	24,1	135	7/16"-20	Individual box	425
CR8J2	Bridgeport R8	JACOBS 2	24,1	132	7/16"-20	Individual box	400
CR8J3	Bridgeport R8	JACOBS 3	24,1	141	7/16"-20	Individual box	460
CR8J6	Bridgeport R8	JACOBS 6	24,1	135	7/16"-20	Individual box	430
CR8J33	Bridgeport R8	JACOBS 33	24,1	135	7/16"-20	Individual box	420

BRIDGEPORT R8 TAPER ADAPTORS

For Morse taper.



Reference	Taper	Morse taper	D mm	L mm	Drawbolt thread	Packaging Style	Weight g
CR8MT2	Bridgeport	2	32	137	7/16"-20	Individual box	460
CR8MT3	Bridgeport	3	32	139	7/16"-20	Individual box	320

REDUCING SLEEVES

According to DIN 2185, hardened and tempered, precision ground internally and externally.

SLEEVES

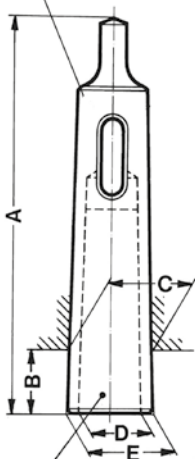


Reference	Morse taper inside - outside		A mm	B mm	C mm	D mm	E mm	Packaging Style	Weight g
B01	0	1	80	19	12,065	9,045	13	Individual box	30
B12	1	2	92	17	17,78	12,065	18,6	Individual box	95
B13	1	3	99	5	23,825	12,065	24,1	Individual box	250
B23	2	3	112	18	23,825	17,78	24,7	Individual box	190
B14	1	4	124	6,5	31,267	12,065	31,6	Individual box	550
B24	2	4	124	6,5	31,267	17,78	31,6	Individual box	480
B34	3	4	140	22,5	31,267	23,825	32,4	Individual box	360
B15	1	5	156	6,5	44,399	12,065	44,7	Individual box	1700
B25	2	5	156	6,5	44,399	17,78	44,7	Individual box	1520
B35	3	5	156	6,5	44,399	23,825	44,7	Individual box	1360
B45	4	5	171	21,5	44,399	31,267	45,5	Individual box	1020
B36	3	6	218	8	63,348	23,825	63,8	Individual box	5300
B46	4	6	218	8	63,348	31,267	63,8	Individual box	5010
B56	5	6	218	8	63,348	44,399	63,8	Individual box	4200

OIL TOUGHENED REDUCING SLEEVES

Externally precision ground with hardened tang.

External Morse cone DIN 228

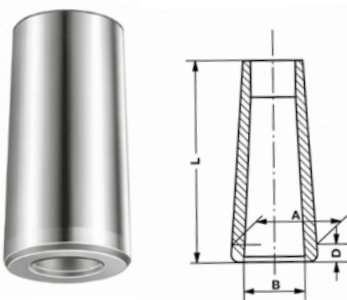


Internal Morse cone DIN 228

Reference	Morse taper inside - outside		A mm	B mm	C mm	D mm	E mm	Packaging Style	Weight g
B010T	0	1	80	19	12,065	9,045	13	Individual box	30
B120T	1	2	92	17	17,78	12,065	18,6	Individual box	95
B130T	1	3	99	5	23,825	12,065	24,1	Individual box	250
B230T	2	3	112	18	23,825	17,78	24,7	Individual box	190
B140T	1	4	124	6,5	31,267	12,065	31,6	Individual box	550
B240T	2	4	124	6,5	31,267	17,78	31,6	Individual box	480
B340T	3	4	140	22,5	31,267	23,825	32,4	Individual box	360
B150T	1	5	156	6,5	44,399	12,065	44,7	Individual box	1700
B250T	2	5	156	6,5	44,399	17,78	44,7	Individual box	1520
B350T	3	5	156	6,5	44,399	23,825	44,7	Individual box	1360
B450T	4	5	171	21,5	44,399	31,267	45,5	Individual box	1020
B360T	3	6	218	8	63,348	23,825	63,8	Individual box	5300
B560T	5	6	218	8	63,348	44,399	63,8	Individual box	4200

REDUCING SLEEVES

With plain through hole, hardened and tempered, precision ground internally and externally.

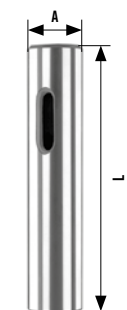


Reference	Morse taper inside - outside		A mm	B mm	C mm	D mm	E mm	Packaging Style	Weight g
B23TH	2	3	60	4,5	23,825	17,78	90	Individual box	90
B24TH	2	4	70	5,3	31,267	17,78	260	Individual box	260
B34TH	3	4	75	5,3	31,267	23,825	170	Individual box	170
B25TH	2	5	80	6,3	44,4	17,78	770	Individual box	770
B35TH	3	5	90	6,3	44,4	23,825	740	Individual box	740
B45TH	4	5	95	6,3	44,4	31,267	560	Individual box	560
B36TH	3	6	110	7,9	63,38	23,825	2200	Individual box	2200
B56TH	5	6	125	7,9	63,38	44,4	1510	Individual box	1510

SLEEVES

MORSE TAPER TURRET SOCKETS

Hardened case, ground internally and externally.



Internal Morse
cone DIN 228

Reference	Diameter A	Morse taper	L mm	Packaging Style	Weight g
TS15MT4	1.1/2"	4	153	Individual box	1150
TSM25MT1	25 mm	1	89	Individual box	300
TSM25MT2	25 mm	2	102	Individual box	
TSM30MT3	30 mm	3	121	Individual box	750
TSM50MT4	50 mm	4	153	Individual box	2100

EXTENSION SOCKETS

According to DIN 2187, hardened and tempered, precision ground internally and externally.



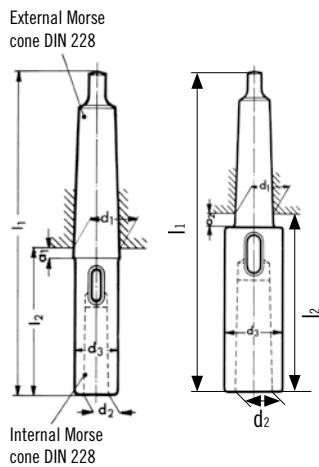
Reference	Morse taper inside - outside		a1 mm	a2 mm	d1 mm	d2 mm	d3 mm	l1 mm	l2 mm	Packaging Style	Weight g
BL11145	1	1	-	7	12,065	12,065	20	145	83	Individual box	190
BL12160	1	2	-	7	12,065	17,78	30	160	98	Individual box	250
BL21160	2	1	-	9	17,78	12,065	20	160	85	Individual box	340
BL22175	2	2	-	9	17,78	17,78	30	175	100	Individual box	400
BL23196	2	3	-	9	17,78	23,825	36	196	121	Individual box	550
BL31175	3	1	5	-	23,825	12,065	20	175	81	Individual box	400
BL32194	3	2	-	9	23,825	17,78	30	194	100	Individual box	840
BL33215	3	3	-	9	23,825	23,825	36	215	121	Individual box	1000
BL34240	3	4	-	9	23,825	31,267	48	240	146	Individual box	1300
BL41200	4	1	6,5	-	31,267	12,065	20	200	82,5	Individual box	800
BL42215	4	2	6,5	-	31,267	17,78	30	215	97,5	Individual box	850
BL43240	4	3	-	10,5	31,267	23,825	36	240	122,5	Individual box	1500
BL44265	4	4	-	10,5	31,267	31,267	48	265	147,5	Individual box	1900
BL45300	4	5	-	10,5	31,267	44,399	63	300	182,5	Individual box	2750
BL52247	5	2	6,5	-	44,399	17,78	30	247	97,5	Individual box	1600
BL53268	5	3	6,5	-	44,399	23,825	36	268	118,5	Individual box	2840
BL54300	5	4	-	13,5	44,399	31,267	48	300	150,5	Individual box	3310
BL55335	5	5	-	13,5	44,399	44,399	63	335	185,5	Individual box	4200

SOCKETS

OIL TOUGHENED EXTENSION SOCKETS

Externally precision ground with hardened tang.

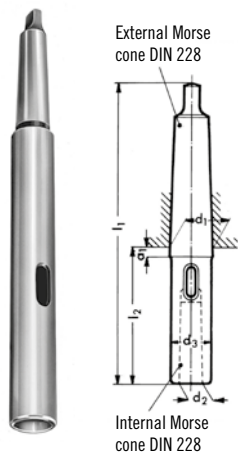
SOCKETS



Reference	Morse taper inside - outside		a1 mm	a2 mm	d1 mm	d2 mm	d3 mm	l1 mm	l2 mm	Packaging Style	Weight g
BL111450T	1	1	–	7	12,065	12,065	20	145	83	Individual box	190
BL121600T	1	2	–	7	12,065	17,78	30	160	98	Individual box	250
BL211600T	2	1	–	9	17,78	12,065	20	160	85	Individual box	340
BL221750T	2	2	–	9	17,78	17,78	30	175	100	Individual box	400
BL231960T	2	3	–	9	17,78	23,825	36	196	121	Individual box	550
BL321940T	3	2	–	9	23,825	17,78	30	194	100	Individual box	840
BL332150T	3	3	–	9	23,825	23,825	36	215	121	Individual box	1000
BL342400T	3	4	–	9		31,267	48	240	146	Individual box	1300
BL432400T	4	3	–	10,5	31,267	23,825	36	240	122,5	Individual box	1500
BL442650T	4	4	–	10,5	31,267	31,267	48	265	147,5	Individual box	1900
BL453000T	4	5	–	10,5	31,267	44,399	63	300	182,5	Individual box	2750
BL543000T	5	4	–	13,5	44,399	31,267	48	300	150,5	Individual box	3310

OIL TOUGHENED LONG PATTERN EXTENSION SOCKETS

Externally precision ground with hardened tang.



Reference	Morse taper esterno - interno		a1 mm	a2 mm	d1 mm	d2 mm	d3 mm	l1 mm	l2 mm	Packaging Style	Weight g
BL112000T	1	1	–	7	12,065	12,065	20	200	138	Individual box	250
BL112500T	1	1	–	7	12,065	12,065	20	250	188	Individual box	375
BL113000T	1	1	–	7	12,065	12,065	20	300	238	Individual box	500
BL222000T	2	2	–	9	17,78	17,78	25	200	125	Individual box	430
BL222500T	2	2	–	9	17,78	17,78	25	250	175	Individual box	625
BL223000T	2	2	–	9	17,78	17,78	25	300	225	Individual box	820
BL223500T	2	2	–	9	17,78	17,78	25	350	275	Individual box	1015
BL224000T	2	2	–	9	17,78	17,78	25	400	325	Individual box	1200
BL225000T	2	2	–	9	17,78	17,78	25	500	425	Individual box	1600
BL226000T	2	2	–	9	17,78	17,78	25	600	525	Individual box	1800
BL332500T	3	3	–	9	23,825	23,825	32	250	156	Individual box	1000
BL333000T	3	3	–	9	23,825	23,825	32	300	206	Individual box	1300
BL333500T	3	3	–	9	23,825	23,825	32	350	256	Individual box	1550
BL334000T	3	3	–	9	23,825	23,825	32	400	306	Individual box	1850
BL335000T	3	3	–	9	23,825	23,825	32	500	406	Individual box	2400
BL336000T	3	3	–	9	23,825	23,825	32	600	506	Individual box	2700
BL443000T	4	4	–	10,5	31,267	31,267	40	300	182,5	Individual box	1650
BL443500T	4	4	–	10,5	31,267	31,267	40	350	232,5	Individual box	2150
BL444000T	4	4	–	10,5	31,267	31,267	40	400	282,5	Individual box	2650
BL445000T	4	4	–	10,5	31,267	31,267	40	500	382,5	Individual box	3600
BL446000T	4	4	–	10,5	31,267	31,267	40	600	482,5	Individual box	4200

LATHE (DEAD) CENTRES PRECISION GROUND

Hardened and tempered according to DIN 806.

LATHE CENTRES



CARBON STEEL FULL POINT 60°

Reference	Morse taper	A mm	B mm	Packaging Style	Weight g
CFN1	1	12,2	80	Scatolati	60
CFN2	2	18	100	Scatolati	150
CFN3	3	24,1	125	Scatolati	340
CFN4	4	31,6	160	Scatolati	790
CFN5	5	44,7	200	Scatolati	1920
CFN6	6	63,8	270	Scatolati	5200



CARBON STEEL HALF POINT 60°

Reference	Morse taper	A mm	B mm	E mm	F mm	Packaging Style	Weight g
CFR1	1	12,2	80	7,6	22	Individual box	55
CFR2	2	18	100	11	30	Individual box	145
CFR3	3	24,1	125	15	38	Individual box	310
CFR4	4	31,6	160	21	50	Individual box	740
CFR5	5	44,7	200	29,4	63	Individual box	1800
CFR6	6	63,8	270	42	79	Individual box	4800



CARBIDE TIPPED FULL POINT 60°

Reference	Morse taper	A mm	B mm	D mm	Packaging Style	Weight g
CFW1	1	12,2	80	7	Individual box	60
CFW2	2	18	100	7	Individual box	150
CFW3	3	24,1	125	11	Individual box	340
CFW4	4	31,6	160	14	Individual box	790
CFW5	5	44,7	200	18	Individual box	1920
CFW6	6	63,8	270	18	Individual box	5200



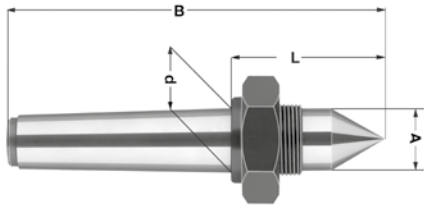
CARBIDE TIPPED HALF POINT 60°

Reference	Morse taper	A mm	B mm	D mm	E mm	F mm	Packaging Style	Weight g
CFWR1	1	12,2	80	7	7,6	22	Individual box	55
CFWR2	2	18	100	7	11	30	Individual box	145
CFWR3	3	24,1	125	11	15	38	Individual box	310
CFWR4	4	31,6	160	14	21	50	Individual box	740
CFWR5	5	44,7	200	18	29,4	63	Individual box	1800
CFWR6	6	63,8	270	18	42	79	Individual box	4800

LATHE CENTRES

With draw off nut according to DIN 807.

LATHE CENTRES



STANDARD POINT COMPLETELY HARDENED AND GROUND

Reference	Morse taper	A thread	B mm	d mm	L mm	Packaging Style	Weight g
CDN2	2	M22x1.5	112	17,78	48	Individual box	300

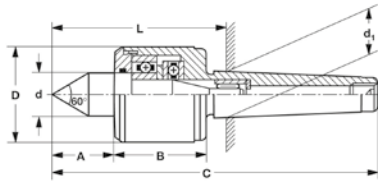
REVOLVING CENTRES

REVOLVING CENTRES

GENERAL PURPOSE



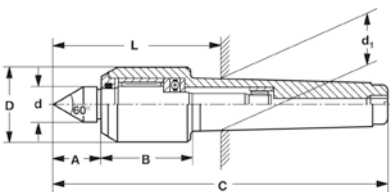
Reference	Morse taper	D mm	d mm	d1 mm	L mm	A mm	B mm	C mm	Max workpiece weight kg	Max speed RPM	Max runout mm	Packaging Style	Weight g
M1	1	34	14	12,06	51	16	30	105	80	3800	0,008	Individual box	200
M2	2	45	20	17,78	75	25	40	139	180	3800	0,008	Individual box	550
M3	3	50	23	23,82	90	34	48	172	270	3500	0,008	Individual box	970
M4	4	62	28	31,26	99	35	52	202	550	3500	0,008	Individual box	1550
M5	5	75	38	44,39	130	52	65	259	1000	3000	0,012	Individual box	3200
M6	6	96	50	63,34	156	65	82	338	1500	2600	0,015	Individual box	7500



REDUCED BODY DIAMETER



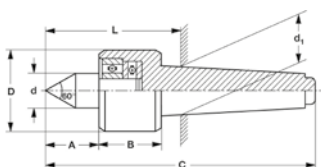
Reference	Morse taper	D mm	d mm	d1 mm	L mm	A mm	B mm	C mm	Max workpiece weight kg	Max speed RMP	Max runout mm	Packaging Style	Weight g
MR3	3	34	15	23,82	63	20	38	141	400	6000	0,005	Individual box	500
MR4	4	42	20	31,26	76	26	42	180	800	6000	0,005	Individual box	1000



EXTENDED POINT FOR COPY TURNING MACHINES

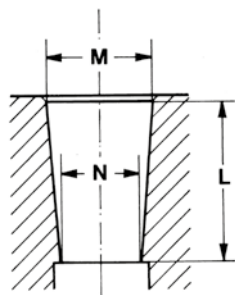


Reference	Morse taper	D mm	d mm	d1 mm	L mm	A mm	B mm	C mm	E mm	Max workpiece weight kg	Max speed RMP	Max runout mm	Packaging Style	Weight g
MC3	3	50	23	23,82	90	35	48	171	11	270	4200	0,008	Individual box	970
MC4	4	60	25	31,26	101	39	52	205	14	550	3800	0,008	Individual box	1550
MC5	5	75	38	44,39	131	53	65	260	20	1000	3000	0,012	Individual box	3200



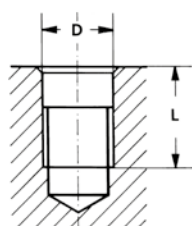
TECHNICAL INFORMATION

CHUCK TAPER MOUNT DIMENSIONS ACCORDING TO DIN 238 AND JACOBS NORMS



Tipo di norma	Chuck taper mount	M mm	N mm	L mm
DIN 238	B6	6,35	5,85	10
DIN 238	B10	10,094	9,4	14,5
DIN 238	B12	12,065	11,1	18,5
DIN 238	B16	15,733	14,5	24
DIN 238	B18	17,78	16,2	32
DIN 238	B22	21,793	19,8	40,5
DIN 238	B24	23,825	21,3	50,5
JACOBS	J0	6,35	5,803	11,11
JACOBS	J1	9,754	8,468	16,67
JACOBS	J2	14,2	12,39	22,23
JACOBS	J2 short	13,94	12,39	19,05
JACOBS	J33	15,85	14,24	25,4
JACOBS	J6	17,17	15,85	25,4
JACOBS	J3	20,6	18,95	30,96
JACOBS	J4	28,55	26,35	42,07

CHUCK THREADED MOUNT DIMENSIONS

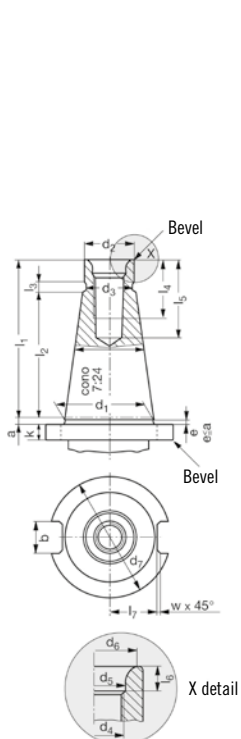


Threaded mount	Class	D mm	Passo mm	L mm
3/8" x 24 UNF	3B	9,525	1,058	14,5
1/2" x 20 UNF	3B	12,7	1,27	16
5/8" x 16 UN	3B	15,875	1,588	19
3/4" x 16 UNF	3B	19,05	1,588	19
M14 x 2	MA	14	2	19
M18 x 2.5	MA	18	2,5	19

MORSE TAPER DIMENSIONS ACCORDING TO DIN 228

Morse taper	A mm	B mm	C mm	D mm	E mm	F mm	Taper %
0	59,5	56,5	9,045	6,1	3,9	9,2	5,205
1	65,5	62	12,065	9	5,2	12,2	4,988
2	80	75	17,78	14	6,3	18	4,995
3	99	94	23,825	19,1	7,9	24,1	5,02
4	124	117,5	31,267	25,2	11,9	31,6	5,194
5	156	149,5	44,399	36,5	15,9	44,7	5,263
6	218	210	63,348	52,4	19	63,8	5,214

ISO TAPER DIMENSIONS ACCORDING TO DIN 2080



Iso taper	a mm	b mm	d1 mm	d2 mm	d3 mm	d4 mm	d5 mm	d6 mm	d7 mm	k mm	l1 mm	l2 mm	l3 mm	l4 mm	l5 mm	l6 mm	l7 mm	w mm
30	1,6	16,1	31,75	17,11	16,5	M12	13	16	50	8	68,4	48,4	3	24	33,5	5,5	16,2	1,6
40	1,6	16,1	44,45	25	24	M16	17	21,5	63	10	93,4	65,4	5	32	42,5	8,2	22,5	1,6
50	3,2	25,7	69,85	39,3	38	M24	26	32	97,5	12	126,8	101,8	8	47	61,5	11,5	35,3	2